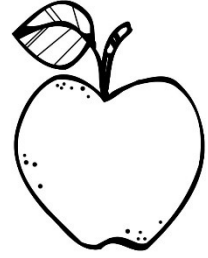




Mrs. Logan's Newsletter



May 13 - 17

What we are working on this week:

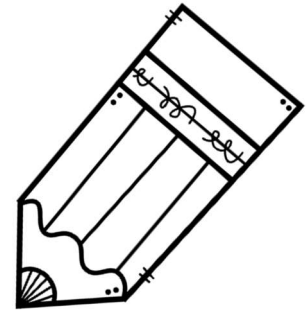
Reading: verbs, cause & effect, opinions.

Math: measurement

Science: plants

Social Studies:

Religion: parts of the mass



Sight Words:

So out

then

Mrs. Logan's email

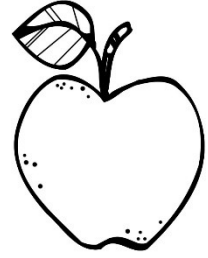
jlogan@allsaintswichita.com

Our field trip is Wed. May 15th.

Please pack a sack lunch and bring a car seat.



Mrs. Logan's Newsletter



May 13 - 17

What we are working on this week:

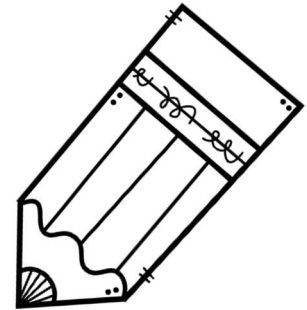
Reading: verbs, cause & effect, opinions.

Math: measurement

Science: plants

Social Studies:

Religion: parts of the mass



Sight Words:

So out

then

Mrs. Logan's email

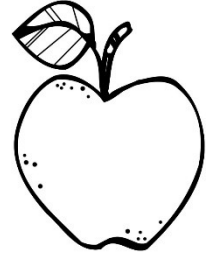
jlogan@allsaintswichita.com

Our field trip is Wed. May 15th.

Please pack a sack lunch and bring a car seat.



Mrs. Logan's Newsletter



May 13 - 17

What we are working on this week:

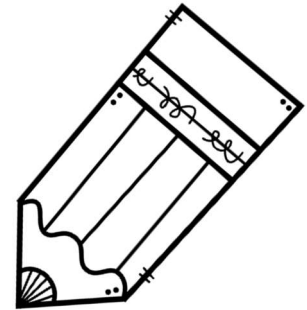
Reading: verbs, cause & effect, opinions.

Math: measurement

Science: plants

Social Studies:

Religion: parts of the mass



Sight Words:

So out

then

Mrs. Logan's email

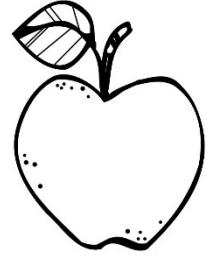
jlogan@allsaintswichita.com

Our field trip is Wed. May 15th.

Please pack a sack lunch and bring a car seat.



Mrs. Logan's Newsletter



May 13 - 17

What we are working on this week:

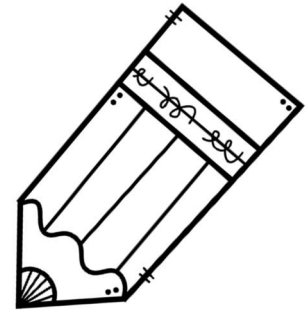
Reading: verbs, cause & effect, opinions.

Math: measurement

Science: plants

Social Studies:

Religion: parts of the mass



Sight Words:

So out

then

Mrs. Logan's email

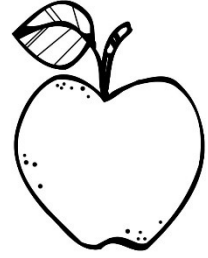
jlogan@allsaintswichita.com

Our field trip is Wed. May 15th.

Please pack a sack lunch and bring a car seat.



Mrs. Logan's Newsletter



May 13 - 17

What we are working on this week:

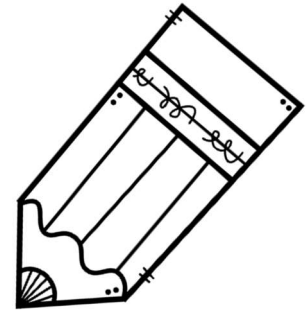
Reading: verbs, cause & effect, opinions.

Math: measurement

Science: plants

Social Studies:

Religion: parts of the mass



Sight Words:

So out

then

Mrs. Logan's email

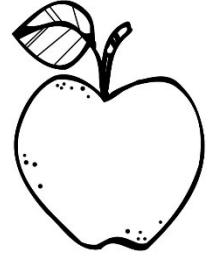
jlogan@allsaintswichita.com

Our field trip is Wed. May 15th.

Please pack a sack lunch and bring a car seat.



Mrs. Logan's Newsletter



May 13 - 17

What we are working on this week:

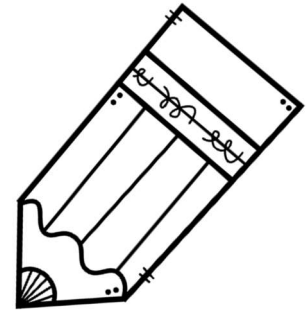
Reading: verbs, cause & effect, opinions.

Math: measurement

Science: plants

Social Studies:

Religion: parts of the mass



Sight Words:

So out

then

Mrs. Logan's email

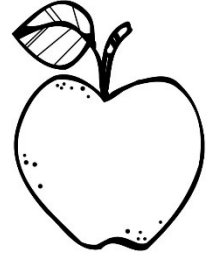
jlogan@allsaintswichita.com

Our field trip is Wed. May 15th.

Please pack a sack lunch and bring a car seat.



Mrs. Logan's Newsletter



May 13 - 17

What we are working on this week:

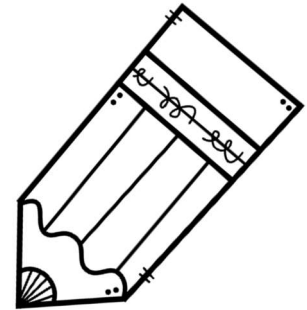
Reading: verbs, cause & effect, opinions.

Math: measurement

Science: plants

Social Studies:

Religion: parts of the mass



Sight Words:

So out

then

Mrs. Logan's email

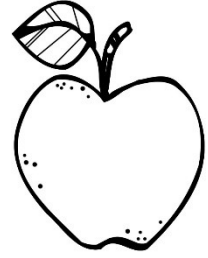
jlogan@allsaintswichita.com

Our field trip is Wed. May 15th.

Please pack a sack lunch and bring a car seat.



Mrs. Logan's Newsletter



May 13 - 17

What we are working on this week:

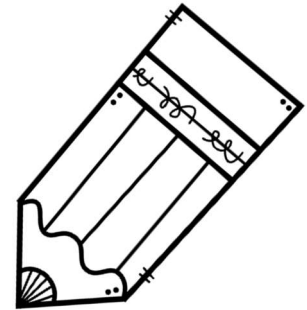
Reading: verbs, cause & effect, opinions.

Math: measurement

Science: plants

Social Studies:

Religion: parts of the mass



Sight Words:

So out

then

Mrs. Logan's email

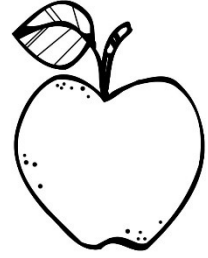
jlogan@allsaintswichita.com

Our field trip is Wed. May 15th.

Please pack a sack lunch and bring a car seat.



Mrs. Logan's Newsletter



May 13 - 17

What we are working on this week:

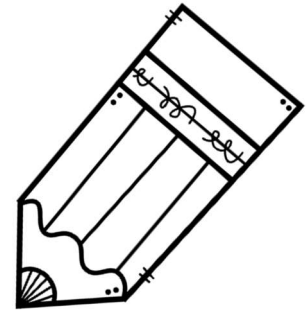
Reading: verbs, cause & effect, opinions.

Math: measurement

Science: plants

Social Studies:

Religion: parts of the mass



Sight Words:

So out

then

Mrs. Logan's email

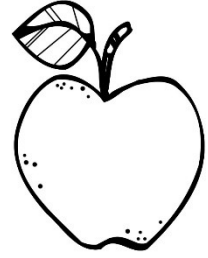
jlogan@allsaintswichita.com

Our field trip is Wed. May 15th.

Please pack a sack lunch and bring a car seat.



Mrs. Logan's Newsletter



May 13 - 17

What we are working on this week:

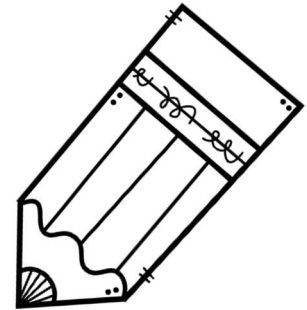
Reading: verbs, cause & effect, opinions.

Math: measurement

Science: plants

Social Studies:

Religion: parts of the mass



Sight Words:

So out

then

Mrs. Logan's email

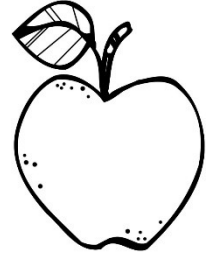
jlogan@allsaintswichita.com

Our field trip is Wed. May 15th.

Please pack a sack lunch and bring a car seat.



Mrs. Logan's Newsletter



May 13 - 17

What we are working on this week:

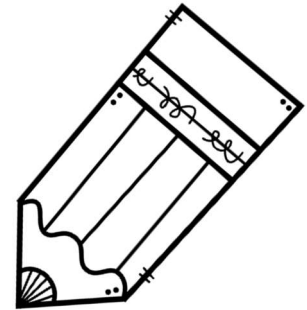
Reading: verbs, cause & effect, opinions.

Math: measurement

Science: plants

Social Studies:

Religion: parts of the mass



Sight Words:

So out

then

Mrs. Logan's email

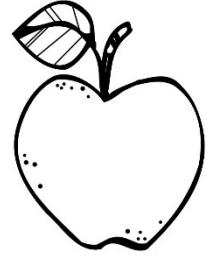
jlogan@allsaintswichita.com

Our field trip is Wed. May 15th.

Please pack a sack lunch and bring a car seat.



Mrs. Logan's Newsletter



May 13 - 17

What we are working on this week:

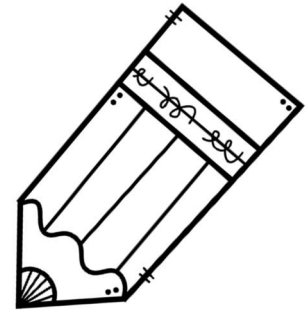
Reading: verbs, cause & effect, opinions.

Math: measurement

Science: plants

Social Studies:

Religion: parts of the mass



Sight Words:

So out

then

Mrs. Logan's email

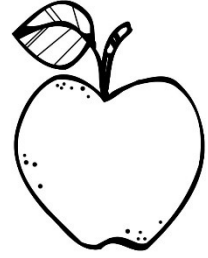
jlogan@allsaintswichita.com

Our field trip is Wed. May 15th.

Please pack a sack lunch and bring a car seat.



Mrs. Logan's Newsletter



May 13 - 17

What we are working on this week:

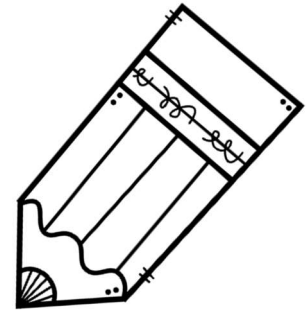
Reading: verbs, cause & effect, opinions.

Math: measurement

Science: plants

Social Studies:

Religion: parts of the mass



Sight Words:

So out

then

Mrs. Logan's email

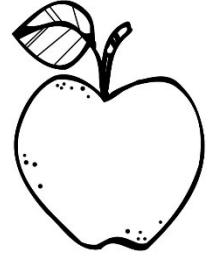
jlogan@allsaintswichita.com

Our field trip is Wed. May 15th.

Please pack a sack lunch and bring a car seat.



Mrs. Logan's Newsletter



May 13 - 17

What we are working on this week:

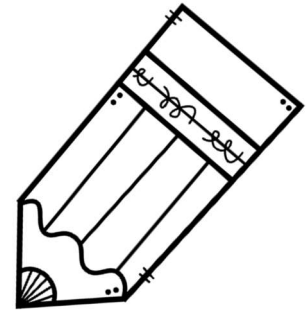
Reading: verbs, cause & effect, opinions.

Math: measurement

Science: plants

Social Studies:

Religion: parts of the mass



Sight Words:

So out

then

Mrs. Logan's email

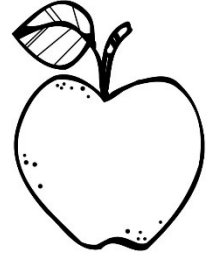
jlogan@allsaintswichita.com

Our field trip is Wed. May 15th.

Please pack a sack lunch and bring a car seat.



Mrs. Logan's Newsletter



May 13 - 17

What we are working on this week:

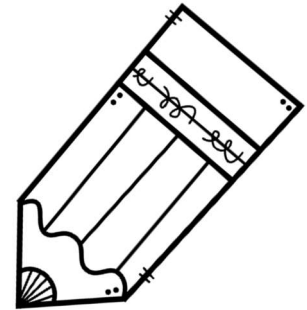
Reading: verbs, cause & effect, opinions.

Math: measurement

Science: plants

Social Studies:

Religion: parts of the mass



Sight Words:

So out

then

Mrs. Logan's email

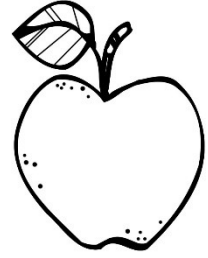
jlogan@allsaintswichita.com

Our field trip is Wed. May 15th.

Please pack a sack lunch and bring a car seat.



Mrs. Logan's Newsletter



May 13 - 17

What we are working on this week:

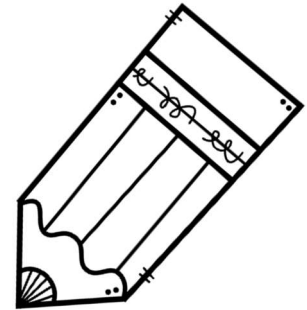
Reading: verbs, cause & effect, opinions.

Math: measurement

Science: plants

Social Studies:

Religion: parts of the mass



Sight Words:

So out

then

Mrs. Logan's email

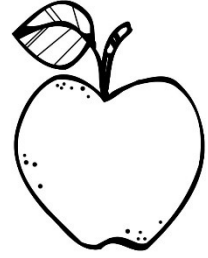
jlogan@allsaintswichita.com

Our field trip is Wed. May 15th.

Please pack a sack lunch and bring a car seat.



Mrs. Logan's Newsletter



May 13 - 17

What we are working on this week:

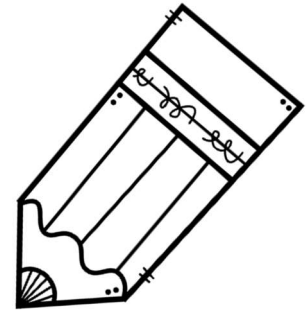
Reading: verbs, cause & effect, opinions.

Math: measurement

Science: plants

Social Studies:

Religion: parts of the mass



Sight Words:

So out

then

Mrs. Logan's email

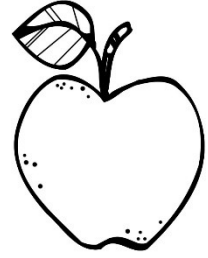
jlogan@allsaintswichita.com

Our field trip is Wed. May 15th.

Please pack a sack lunch and bring a car seat.



Mrs. Logan's Newsletter



May 13 - 17

What we are working on this week:

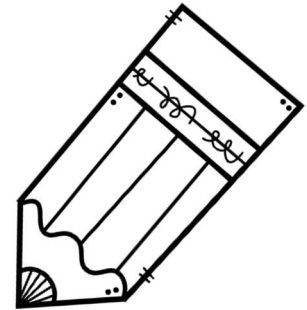
Reading: verbs, cause & effect, opinions.

Math: measurement

Science: plants

Social Studies:

Religion: parts of the mass



Sight Words:

So out

then

Mrs. Logan's email

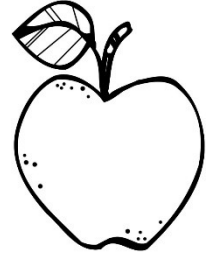
jlogan@allsaintswichita.com

Our field trip is Wed. May 15th.

Please pack a sack lunch and bring a car seat.



Mrs. Logan's Newsletter



May 13 - 17

What we are working on this week:

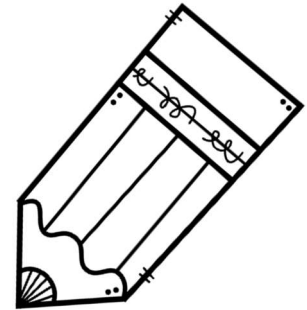
Reading: verbs, cause & effect, opinions.

Math: measurement

Science: plants

Social Studies:

Religion: parts of the mass



Sight Words:

So out

then

Mrs. Logan's email

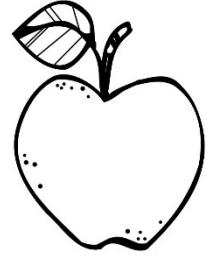
jlogan@allsaintswichita.com

Our field trip is Wed. May 15th.

Please pack a sack lunch and bring a car seat.



Mrs. Logan's Newsletter



May 13 - 17

What we are working on this week:

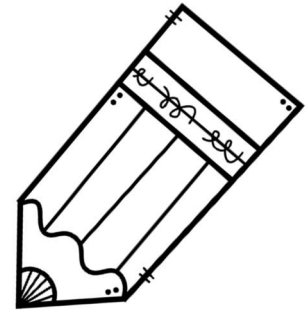
Reading: verbs, cause & effect, opinions.

Math: measurement

Science: plants

Social Studies:

Religion: parts of the mass



Sight Words:

So out

then

Mrs. Logan's email

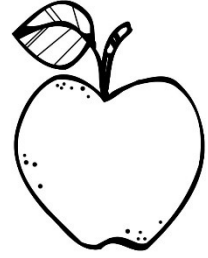
jlogan@allsaintswichita.com

Our field trip is Wed. May 15th.

Please pack a sack lunch and bring a car seat.



Mrs. Logan's Newsletter



May 13 - 17

What we are working on this week:

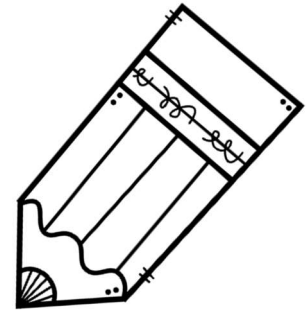
Reading: verbs, cause & effect, opinions.

Math: measurement

Science: plants

Social Studies:

Religion: parts of the mass



Sight Words:

So out

then

Mrs. Logan's email

jlogan@allsaintswichita.com

Our field trip is Wed. May 15th.

Please pack a sack lunch and bring a car seat.